

50  
MERLO  
1968-2018

CAMERE  
DI COMMERCIO  
D'ITALIA  
AN HISTORIC ITALIAN COMPANY

MACHINE  
OF THE YEAR 2015

INTERMAT  
Innovation Awards  
2015  
GOLD

 **MERLO**

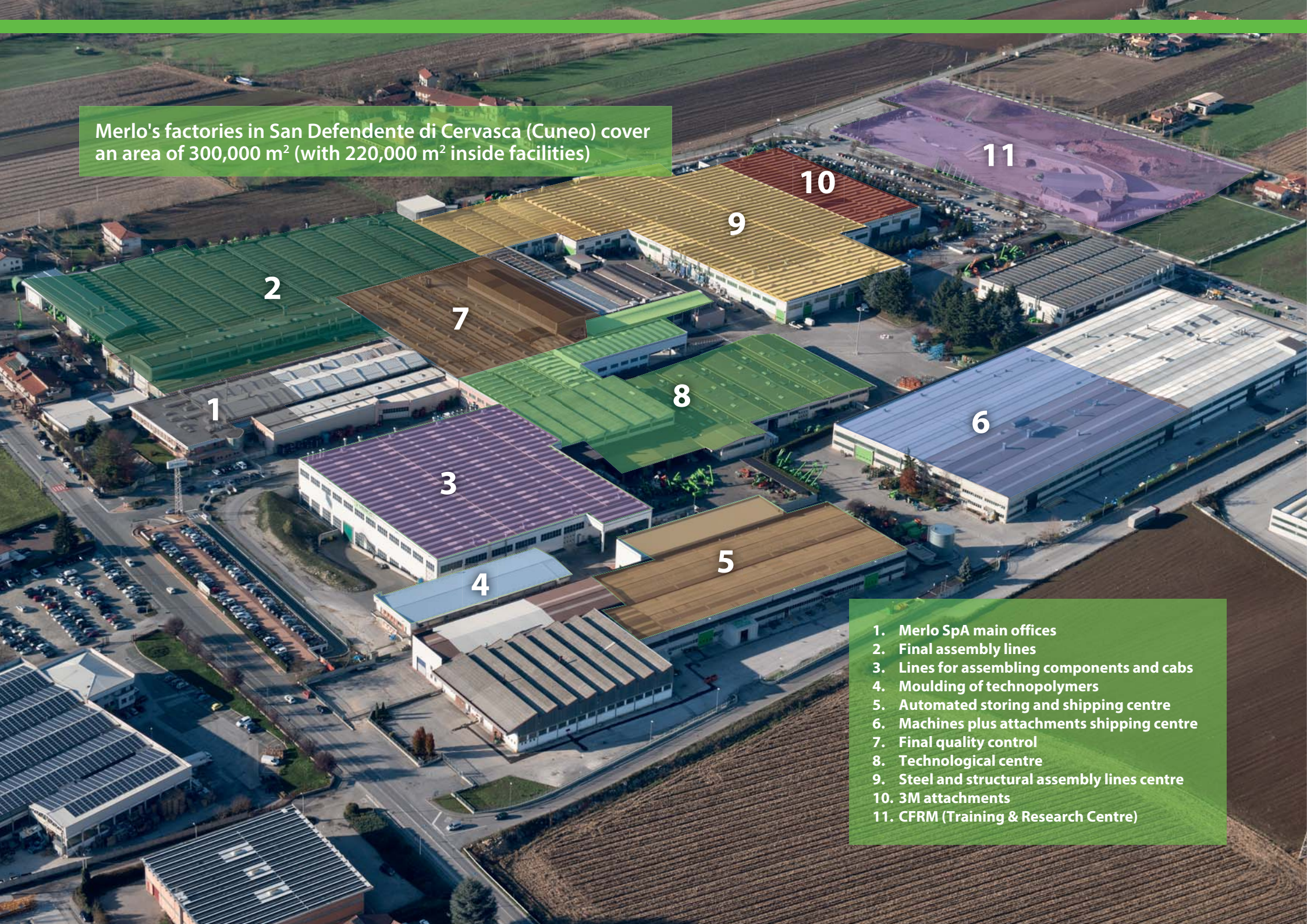


**NEW P27.6 COMPACT**

**NEW**

XG

Merlo's factories in San Defendente di Cervasca (Cuneo) cover an area of 300,000 m<sup>2</sup> (with 220,000 m<sup>2</sup> inside facilities)



1. Merlo SpA main offices
2. Final assembly lines
3. Lines for assembling components and cabs
4. Moulding of technopolymers
5. Automated storing and shipping centre
6. Machines plus attachments shipping centre
7. Final quality control
8. Technological centre
9. Steel and structural assembly lines centre
10. 3M attachments
11. CFRM (Training & Research Centre)

# The Merlo Group

## N° 1 for technology and safety

The Merlo brand has always been synonymous with advanced technology in the telehandler field and our history, since 1964, is hallmarked by experience based on determination and passion. The development of complex products, from the idea to the result, from design to sales, means being able to propose orientations for the most competitive markets. The outcome of our efforts are compact, easy to handle telehandlers ensuring incomparable operating performance, comfort, efficiency and safety. **At Agritechnica 2013, three important awards were received that clearly demonstrate the technological and innovative superiority of our products:**

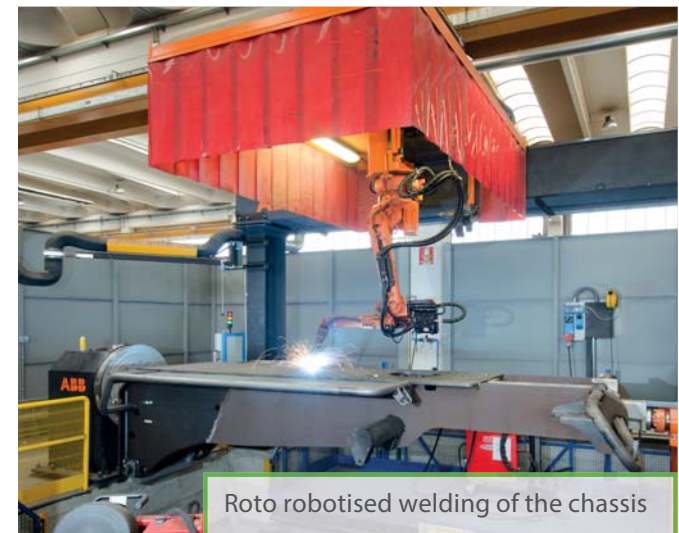
- Turbofarmer 42.7 Hybrid: Gold Medal for innovation at Agritechnica.
- Turbofarmer II: Machine of the year 2014 in the "handling and logistics" category.
- Multifarmer: Selected as a "milestone" in agriculture.

The new modular Medium Duty and Compact Turbofarmer range was named «Machine of the Year» 2015 at Sima 2015 in the handling and logistics sector.

- > **1.100** employees
- Surface area of **300,000 m<sup>2</sup>** of which **220,000 m<sup>2</sup>** are indoors
- **90%** exports
- **600** dealers all over the world
- **8%** of turnover invested in R & D
- **54** robots



Automated boom bending workstation



Roto robotised welding of the chassis

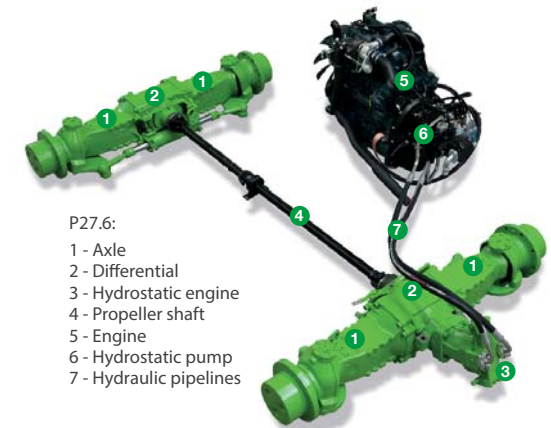
## CAB

- ✓ The **cab is the largest in its category** 1,010 mm of effective inside width and superb windows measuring 4.3 m<sup>2</sup> for incomparable visibility and low fatigue levels
- ✓ **New modular cab as standard:** pressurised (in conformity with ISO standards) with electronic joystick on all power bands
- ✓ The largest cab in its category a plus that also allows **type-approval and an agricultural tractor**
- ✓ Structure in line with Level II FOPS and ROPS international standards. **maximum safety** in every operating context
- ✓ The **broadest and most spacious driving position in category: well-being and health** of operators are given full priority
- ✓ **High visibility roof:** vision of the boom and the load are two fundamental **safety at work** aspects
- ✓ **Reverse shuttle at steering wheel command.** intuitive and at the operator's fingertips, improving manoeuvring safety and agility while maintaining full control of the steering wheel
- ✓ **New digital instrumentation:** clear, reliable and convenient; helps improve **active safety** at a glance
- ✓ **Door opens by 180°** with a separate upper small window portion. air exchange, visibility and direct contact with other people working outside are uncompromisingly assured



## ENGINE AND TRANSMISSION

- ✓ **New Stage IIIb engines** (Tier IV Interim) with two power levels: to meet the needs of every user
- ✓ **Completely electronic management of engine and transmission:** excellent breakaway from standstill, fluid progression, optimisation of cycle times and consumption
- ✓ **Engines comply** with anti-pollution standards with **DOC** (Diesel Oxidation Catalyst) e **without DPF:** streamlined maintenance and **fewer worries for the operator**
- ✓ **New tapered bonnet:** better visibility for **better safety**
- ✓ **Gear-type hydraulic pump** and distributor with **Load-Sensing** logic: 84 l/min at 210 bar available immediately with optimal control in every context of all movements
- ✓ **Maximum speed 40 km/h** the only model in its category as well as the only one to have type-approval as an agricultural tractor
- ✓ **Two power levels and two torque levels:** 55 kW x 265 Nm and 37 kW x 170 Nm



P27.6:

- 1 - Axle
- 2 - Differential
- 3 - Hydrostatic engine
- 4 - Propeller shaft
- 5 - Engine
- 6 - Hydrostatic pump
- 7 - Hydraulic pipelines

2) Kubota V2607 Tier 4 Interim 37kW/55HP.  
Max torque 170 Nm at 1600 rpm.

1) Kubota V3307 DI Tier 4 Interim 3,4 I, 55kW/75HP.  
Max torque 265 Nm at 1500 rpm.

# COMPACT CONCEPT



**NEW**

## New P27.6 Compact

- ✓ Maximum speed 40 km/h unique in its class
- ✓ Type-approval as on-road agricultural tractor (option)
- ✓ Hydrostatic transmission with continuous variation from 0 to 40 km/h without torque interruption
- ✓ Two levels of torque and power
- ✓ Largest and most spacious cab in the category (1,010 mm)
- ✓ New Load-Sensing distributor for precise and simultaneous movements
- ✓ Electronic joystick as standard
- ✓ Maximum visibility in every direction

# New P27.6 compact Record-setting performances.

UNIQUE IN ITS CATEGORY! the **broadest cab** (1010 mm), **max speed** of 40 km/h and **type-approval as agricultural tractor!**

Merlo has developed a new high-performance compact telehandler for all agricultural companies operating in sectors such as poultry, livestock, crops and processing of cereals, fruit and vegetables. Or quite simply whenever large quantities of materials have to be handled in confined spaces. Compactness, lifting capacity, traction, comfort and high-level safety are the special features of the new Merlo P27.6. High productivity levels can be achieved with specific attachments designed to optimise performance in every application. The boom extends to more than 6 metres in height for a lifted load of 2.7 tonnes; the new P27.6 has the same modular cab as its big brothers, offering spaciousness and window visibility for the operator unequalled in its category. With a top speed of 40 km/h (acceleration from 0 to 40 km/h without torque interruption) and the possibility of being registered as an on-road agricultural tractor, the P27.6 today is a unique handler in its class and without compare on the market.

### THERE ARE PLENTY OF GOOD REASONS TO BUY A MERLO PANORAMIC P 27.6:

- ✓ **Speed: up to 40 km/h, towing hook, trailer braking system (optional)**
- ✓ **Type approval as an agricultural tractor: unique in its category!**
- ✓ **Compactness: height P 27.6 = 1.92 m**
- ✓ **Most spacious cab in it category with 1010 mm** of effective width
- ✓ **Electronic joystick as standard**
- ✓ **New Load Sensing distributor**
- ✓ **Dedicated Merlo attachments** to maximise your company's productivity!
- ✓ **6 m booms:** they exceed the front loaders in height, speed and productivity.
- ✓ **Hydrostatic transmission and permanent 4x4 drive:** precise movements on all kinds of terrain for greater comfort and productivity
- ✓ Tows up to 12 tons (optional)
- ✓ Dual Reverse Shuttle on joystick and on steering wheel
- ✓ **Disc brakes on the 4 wheels** plus automatic parking brake

## BOOM

- ✓ **High-strength structural steel:** lightweight yet strong for higher effective loads
- ✓ **Two-section boom:** maximum lifting height of 6.1 metres for incomparable multi-function performance
- ✓ **Hydraulic/electrical components:** protected for maximum reliability
- ✓ **ZM2 carriage:** to retain interchangeability with Merlo attachments already owned and even better versatility
- ✓ **Tac-Lock: replacement of tools from the driver's seat** for greater comfort and safety
- ✓ **Hydraulic/electrical connections:** power supply of equipment for maximum versatility.
- ✓ **Electronic joystick as standard and Load Sensing distributor:** intuitive, smooth and simultaneous movements
- ✓ **Anti-overturn system:** automatic lock of worsening movements in full observance of EN15000 standard



## AXLES

- ✓ **Axles designed and integrated in the project:** maximum performances and excellent versatility thanks to availability of two torque levels
- ✓ **Planetary reducers** low centre of gravity, maximum reliability and high traction at maximum steering angle
- ✓ **Three steering modes:** front wheels, coordinated turning and sideways crab for easy handling and efficiency while working
- ✓ **Four-wheel drive** is always engaged: maximum traction in every condition
- ✓ **Integral servo-braking:** acts on all four wheels for maximum safety in every work context.
- ✓ **Parking brake:** activates when the engine is turned off or, when the engine is on, from the cab.
- ✓ **Optional differential lock:** for optimal disengagement on difficult terrain

## THREE STEERING MODES

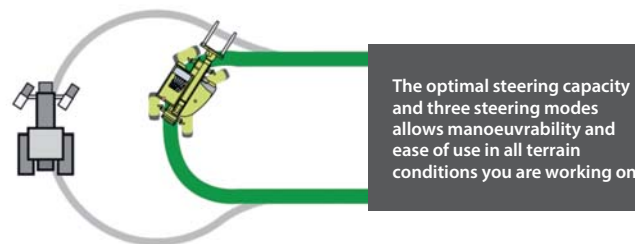
FRONT WHEEL STEERING



FOUR WHEEL COORDINATED STEERING



CRAB STEERING

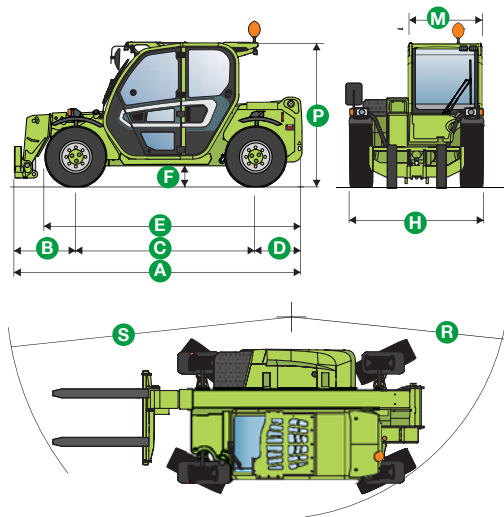


The optimal steering capacity and three steering modes allows manoeuvrability and ease of use in all terrain conditions you are working on

## TOWING

- ✓ The only one in its category with **type approval as an agricultural tractor.**
- ✓ Towing hooks type approved for agricultural use and as operating machines. Maximum versatility and in line with standards.
- ✓ **Availability of two hydraulic outlets dedicated to powering the trailer jacks.** Superior versatility and performance
- ✓ A 7-pole electric socket supplies power to the trailer lights

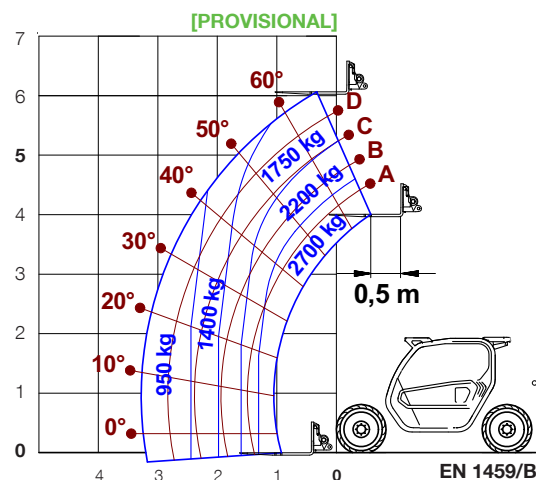
# TECHNICAL INFORMATION



DIMENSIONS	P.27.6
A (mm)	3900
B (mm)	835
C (mm)	2450
D (mm)	615
E (mm)	3480
F (mm)	270
H (mm)	1840
M (mm)	1010
P (mm)	1920
R (mm)	3370
S (mm)	4200

PERFORMANCE AND FEATURES	P.27.6	P 27.6 PLUS	P 27.6 TOP
Total unladen mass, with forks (kg)	4900	4900	4900
Maximum capacity (kg)	2700	2700	2700
Lifting height (m)	6,1	6,1	6,1
Maximum reach (m)	3,5	3,5	3,5
Maximum operating height (m)	4,5	4,5	4,5
Maximum operating reach (m)	1,5	1,5	1,5
Capacity at maximum height (kg)	1750	1750	1750
Capacity at maximum reach (kg)	1000	1000	1000
Turbo motor (displacement/cylinders)	2.6/4	3.3/4	3.3/4
Tier 4 Interim* engine power (kW/CV)	37/55	55/75	55/75
Maximum speed (km/h)	25	40	40
BSS hydro-pneumatic boom suspension	○	○	○
Fuel tank (l)	70	70	70
Gear-type hydraulic pump and Load-Sensing (bar-l/min)	210/84	210/84	210/84
Hydraulic oil tank (l)	70	70	70
FOPS (ISO 3449) and ROPS (ISO 3471) cab	●	●	●
Electronic joystick command	●	●	●
Tac-Lock attachments locking	●	●	●
Hydrostatic transmission	●	●	●
Dual reverse shuttle	●	●	●
Pedal-operated Inching control	●	●	●
Permanent four-wheel drive	●	●	●
Four-wheel steering	●	●	●
Standard tyres	12.5-16	12.5-16	12.5-16
Type approval as an agricultural tractor	○	○	○
Towing capacity (kg)	3500	3500	4550
Standard cab	●	-	-
Plus cab	○	○	○

● As standard. ○ On request.



## ATTACHMENTS

Merlo adopts simple yet effective guidelines in terms of product evolution. Everything is studied - from the concept to implementation - in the Group's factories. This simple rule also applies to attachments. These true operating tool for our handlers are based in the long-term experience of Merlo's technicians, culminating in a broad and effective range across types and operating capacities.

**The new P27.6 model uses original, dedicated Merlo attachments specifically designed for this machine.**

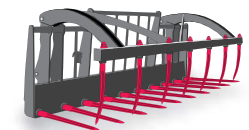
This standard makes it possible to adapt tested and interchangeable production attachment to allow for targeted uses, with the intention of facilitating work and reducing its execution times.

**The Merlo P27.6 compact handler is a high-profile professional system completing the Merlo range where high performance levels are needed in confined spaces. It is not a small handler but a great handler in a compact package.**

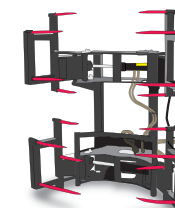
### 3 POINT FORK



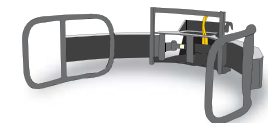
### MANURE FORK WITH CLAW



### DOUBLE GRIPPER WITH CLAW FOR BALES



### GRIPPER FOR WRAPPED BALES



## 50 YEARS OF CONSTANT COMMITMENT TO WORKING TOGETHER WITH YOU

- 1964** - Establishment of the Merlo Group
- 1966** - DM and DBM: the first dumper and the first self-loading concrete mixer
- 1981** - SM: the world's first telescopic handler
- 1987** - Panoramic: the world's first telehandler with side engine
- 1991** - Roto: the world's first telehandler with rotating turret
- 1996** - Turbofarmer: the first telehandler in Europe type-approved as an agricultural tractor
- 1998** - P26: the ultra-compact telehandlers
- 2000** - Multifarmer: the first agricultural tractor with telescopic boom
- 2001** - MM: the first forestry attachment-carrier
- 2010** - Hybrid: the first diesel/electric hybrid telehandler
- 2012** - Modular: a new concept of telescopic handler
- 2013** - Three important awards at the Agritechnica in Hanover:
  - Hybrid 42.7: gold medal for technological innovation
  - Turbofarmer II range: "machine of the year 2014"
  - Multifarmer 40.9: "a milestone in agricultural machinery"
- 2015** - New modular Medium Duty and Compact Turbofarmer named "machine of the year" 2015 at Sima in Paris



**MERLO S.P.A.**

Via Nazionale, 9 - 12010 S. Defendente di Cervasca - Cuneo - Italia

Tel. +39 0171 614111 - Fax +39 0171 684101

[www.merlo.com](http://www.merlo.com) - [info@merlo.com](mailto:info@merlo.com)

*The Telehandlers outlined in this documentation can be equipped with optional or special accessories that are not included in standard equipment but only on request.*

*In certain countries, not all models or attachments may be available because of market or regulatory restrictions.*

*Technical data and information are up-to-date at the time of printing this documentation. Merlo reserves the right to make modifications arising from natural technological evolution without any obligation on its part.*

*Your trusted Merlo Dealer will be delighted to provide you with all updates concerning our products and services.*