



EPT20-18WA
EPT20-20WA
EPT25-25WA
Electric Pallet Truck 1.8/2.0/2.5t

Long-tiller Design Makes Operations Easier and More Convenient;
Small Turning Radius Requirements, Excellent Performances in Curved Aisles;
Ideal Choice for Heavy Duty but Short Distance Applications.

▣ FEATURE



Performance

- The innovative AC system offers strong power, accurate control and excellent performance.
- High strength vertical gearbox provides reliable uptime.
- Low-noise and durable hydraulic unit, high quality cylinder as well as hose ensure the high reliability of hydraulic system.
- AMP connector and durable electric wires greatly reduce malfunctions of components.
- One-time formed fork, box type frame and adjustable linkage extends the life of undercarriage.

Safety

- Curved design of front chassis avoids pinching point when lifting.
- Curved design of bottom frame ensures proper ground clearance and avoids hurting operator's feet.
- Emergency reverse belly button protects the operator from getting hurt.
- Emergency disconnecter will cut off power source to avoid accident when the truck goes out of control.
- Anti-rolling back brake keeps the truck from skidding down when truck is out of control or travelling on ramp.
- LBR option avoids cargo from falling down.
- Long operation tiller withstands most impacts from crashes.

Operation

- With the new design of ergonomical tiller head, all buttons can be reached conveniently & comfortably.
- Thanks to the long tiller design, it decreases the steering force greatly which leads to easy operations.
- With its special fork design, it is suitable for all popular pallets.
- Over 180° handle rotation range tiller & compact size ensure small turning radius & excellent maneuverability.
- Creep speed function: when tiller is in near vertical position, the driving speed will decrease automatically, allowing delicate operation in confined space.
- Creep Switch for vertical handle (optional).

Maintenance

- AC traction motor, maintenance free.
- Hour meter and battery indicator remind the operator of battery charging.
- Easily remove the back cover by only losing two bolts; Access to all key components for inspection, maintenance and replacement.
- Easy access for battery maintenance.
- Vertical motor makes the inspection & service much more convenient.
- Control system allows easy trouble-shooting.
- Low voltage lift cut off design protects batteries.

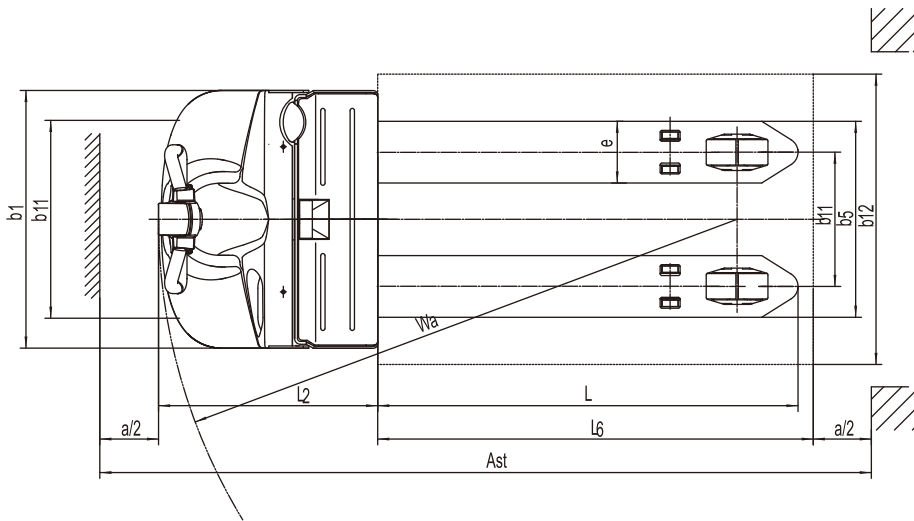
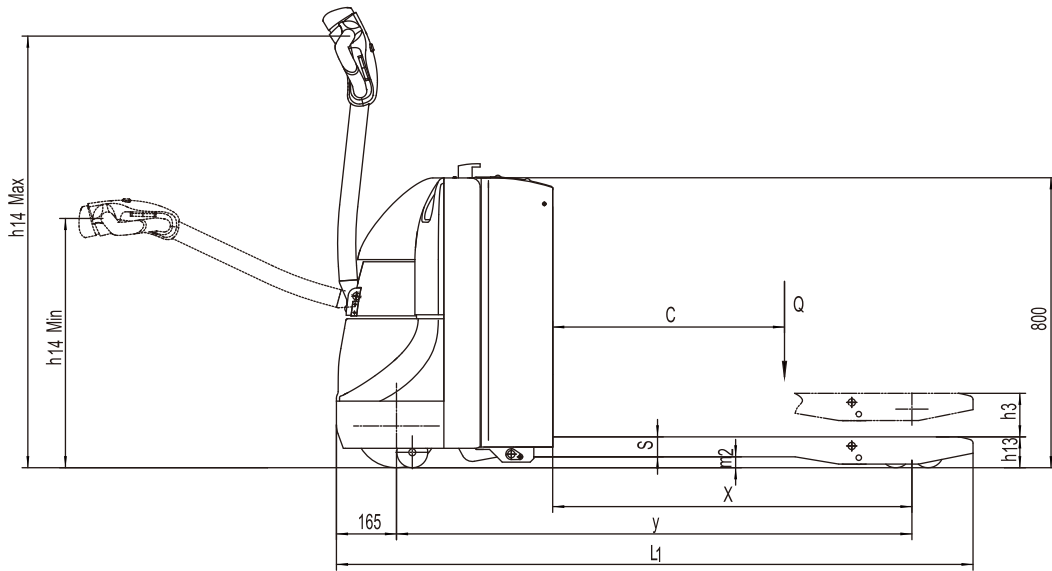


Electric Pallet Truck 1.8/2.0/2.5t

EPT20-18WA/EPT20-20WA/EPT25-25WA

Distinguishing mark							
1.1	Manufacturer		EP	EP	EP		
1.2	Model designation		EPT20-18WA	EPT20-20WA	EPT25-25WA		
1.3	Drive unit		Electric	Electric	Electric		
1.4	Type of operation		pedestrian	pedestrian	pedestrian		
1.5	Rated capacity	Q	kg	1800	2000	2500	
1.6	Load center distance	c	mm	600	600	600	
1.7	Load distance	x	mm	940	916 / 982	937 / 1003	916 / 982 937 / 1003
1.9	Wheelbase	y	mm	1368	1418	1488	1418 1488
Weight							
2.1	Service weight (include battery)		kg	445	535	565	
2.2	Axle loading, laden driving side/loading side		kg	745 / 1500	955 / 1580	1070 / 1995	
2.3	Axle loading, unladen driving side/loading side		kg	345 / 100	430 / 105	445 / 120	
Types, Chassis							
3.1	Tyre type driving wheels/loading wheels			polyurethane/ polyurethane			
3.2	Tyre size, driving wheels (diameter×width)		mm	Φ230x75	Φ230x75	Φ230x75	
3.3	Tyre size, loading wheels (diameter×width)		mm	Φ80x60	Φ85x70 / Φ83x115	Φ85x70 / Φ83x115	
3.4	Tyre size, caster wheels (diameter×width)		mm	Φ85x48	Φ85x48	Φ85x48	
3.5	Wheels, number driving, caster/loading (x=drive wheels)		mm	1 x + 2 / 4	1 x + 2 / 4 / 1 x + 2 / 2	1 x + 2 / 4 / 1 x + 2 / 2	
3.6	Track width, front, driving side	b ₁₀	mm	498	498	498	
3.7	Track width, rear, loading side	b ₁₁	mm	390 / 450 / 535	370 / 430 / 515	370 / 430 / 515	
Dimensions							
4.4	Lift height	h ₃	mm	120	120	120	
4.9	Height drawbar in driving position min./max.	h ₁₄	mm	715 / 1200	715 / 1200	715 / 1200	
4.15	Lowered height	h ₁₃	mm	85	85	85	
4.19	Overall length	l ₁	mm	1735	1748	1818	1748 1818
4.20	Length to face of forks	l ₂	mm	585	598	598	
4.21	Overall width	b ₁ / b ₂	mm	710	710	710	
4.22	Fork dimensions	s/ e/ l	mm	50 x 150 x 1150	55 x 170 x 1150	55x170x1220	55 x 170 x 1150 55x170x1220
4.25	Distance between fork-arms	b ₅	mm	540 / 600 / 685	540 / 600 / 685	540 / 600 / 685	
4.32	Ground clearance, center of wheelbase	m ₂	mm	35	30	30	
4.34.1	Aisle width for pallets 1000 × 1200 crossways	Ast	mm	1820	1815	1815	
4.34.2	Aisle width for pallets 800 × 1200 lengthways	Ast	mm	2020	2015	2015	
4.35	Turning radius	Wa	mm	1560	1595	1595	
Performance data							
5.1	Travel speed, laden/ unladen	km/ h	km/h	5,5 / 6,0	5 / 5,5	5 / 5,5	
5.2	Lifting speed, laden/ unladen		m/ s	0.051 / 0.060	0.051 / 0.060	0.051 / 0.060	
5.3	Lowering speed, laden/ unladen		m/ s	0.032 / 0.039	0.032 / 0.039	0.032 / 0.039	
5.8	Max. gradeability, laden/unladen			6 / 16	8 / 16	6 / 16	
5.10	Service brake type			Electromagnetic	Electromagnetic	Electromagnetic	
Electric-engine							
6.1	Drive motor rating S2 60 min		kW	1.1	1.1	1.1	
6.2	Lift motor rating at S3 15%		kW	0.84	0.84	0.84	
6.3	The maximum allowed size battery		mm	670 x 180 x 570	680 x 205 x 600	680 x 205 x 600	
6.4	Battery voltage/nominal capacity K5		V/Ah	24 / 110	24 / 210	24 / 240	
6.5	Battery weight		kg	120	190	220	
Addition data							
8.1	Type of drive control			AC	AC	AC	
10.5	Steering type			Mechanical	Mechanical	Mechanical	
10.7	Sound pressure level at the driver's ear			74	74	74	

1.The parameters in the table are of the standard model. For more information, please contact us.
2.The parameters are subject to change without notice.



Option

Options	EPT20-18WA	EPT20-20WA	EPT25-25WA
Fork length	●850/1000/1300/1450 mm	●850/1000/1300/1450/1600/1800/2000/2400mm	●850/1000/1300/1450/1600/1800/2000/2400mm
Fork spread	—	●460/790/840mm	●460/790/840mm
Fork lowered height	●78mm	—	—
Driving wheel	●PU	●PU	●PU
high capacity battery	●150AH	●165AH/240AH	●165AH/210AH
lateral battery change	—	●165/210AH/240AH	●165/210AH/240AH
Cold storage	●	●	●
battery indicator without hour meter	●	●	●
water auto-filling system	●	●	●
Vertical handler working	●	●	●
half speed function in turning	●	●	●
Special backrest	—	●1220mm (48in)/1520mm (60in)	●1220mm (48in)/1520mm (60in)