

**MAX-5**



# MAX-5

Fit Actual Needs and Costs Effectively

## CPD15/18/20TV5

### Three-wheel Electric Forklift 1.5/1.8/2.0t

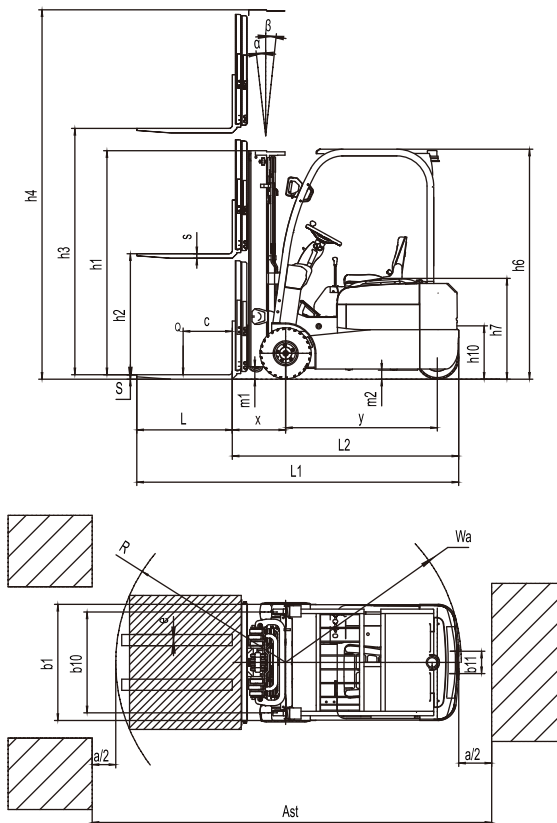
Dual-drive Performance

Perfect Balance between Dynamic and Working Space

## Three-wheel Electric Forklift 1.5/1.8/2.0t CPD15/18/20TV5

Distinguishing mark				EP	EP	EP
1.1	Manufacturer			CPD15TV5	CPD18TV5	CPD20TV5
1.2	Model designation			Electric	Electric	Electric
1.3	Drive unit			seated	seated	seated
1.4	Operator type			1500	1800	2000
1.5	rated capacity	Q	kg	500	500	500
1.6	Load center distance	c	mm	397.5	397.5	397.5
1.8	Load distance, centre of drive axle to fork	x	mm	1258	1358	1468
1.9	Wheelbase	y	mm			
Weight						
2.1	Service weight (include battery)		kg	3050	3160	3430
2.2	Axle loading, laden driving wheels /steering wheels		kg	4215/335	4640/320	5050/380
2.3	Axle loading, unladen driving wheels /steering wheels		kg	1570/1480	1620/1540	1750/1680
Types,Chassis						
3.1	Tyre type,driving wheels /steering wheels			solid rubber	solid rubber	solid rubber
3.2	Tyre size, driving wheels			18X7-8	18X7-8	200X50-10
3.3	Tyre size, steering wheels			15X4.5-8	15X4.5-8	15X4.5-8
3.5	Wheels, number driving/steering (x=drive wheels)		mm	2x/ 2	2x/ 2	2x/ 2
3.6	Tread, Driving wheels	b <sub>10</sub>	mm	902	902	902
3.7	Tread, Steering wheels	b <sub>11</sub>	mm	175	175	175
Dimensions						
4.1	Tilt of mast/fork carriage forward/backward	$\alpha / \beta$ (°)		6/6.5	6/6.5	6/6.5
4.2	Height, mast lowered	h <sub>1</sub>	mm	2060	2060	2060
4.3	Free lift (load backrest)	h <sub>2</sub>	mm	120	120	120
4.4	Lift height	h <sub>3</sub>	mm	3000	3000	3000
4.5	Height, mast extended	h <sub>4</sub>	mm	4011	4011	4011
4.7	Height of overhead guard (cabin)	h <sub>6</sub>	mm	2060	2060	2060
4.8	Seat height	h <sub>7</sub>	mm	855	855	855
4.12	Tow center of pin height	h <sub>10</sub>	mm	475	475	475
4.19	Overall length	l <sub>1</sub>	mm	2765	2865	2975
4.20	Length to face of forks	l <sub>2</sub>	mm	1845	1945	2055
4.21	Overall width	b <sub>1</sub> / b <sub>2</sub>	mm	1090	1090	1150
4.22	Fork dimensions	s/ e/ l	mm	40×100×920	40×100×920	40×100×920
4.23	Fork carriage class/type A, B			2A	2A	2A
4.24	Fork carriage width	b <sub>3</sub>	mm	1040	1040	1040
4.31	Ground clearance, laden, below mast	m <sub>1</sub>	mm	108	108	108
4.32	The minimum ground clearance of frame	m <sub>2</sub>	mm	78	78	78
4.34.1	Aisle width for pallets 1000 × 1200 crossways	Ast	mm	3195	3295	3400
4.34.2	Aisle width for pallets 800 × 1200 lengthways	Ast	mm	3320	3420	3526
4.35	Turning radius	Wa	mm	1475	1575	1680
Performance data						
5.1	Travel speed, laden/ unladen		km/ h	13/ 14	13/ 14	13/ 14
5.2	Lifting speed, laden/ unladen		m/ s	0.29/ 0.43	0.27/ 0.43	0.26/ 0.43
5.3	Lowering speed, laden/ unladen		m/ s	0.44/ 0.435	0.44/ 0.435	0.44/ 0.435
5.5	Drawbar pull, laden/unladen		N	/	/	/
5.6	Max. drawbar pull, laden/unladen (time)		N	/	/	/
5.7	Gradeability, laden/unladen		%	10.5/ 14.5	10.5/ 14.5	10.5/ 14.5
5.8	Max. gradeability, laden/unladen		%	/	/	/
5.10	Service brake type			Mechanical/ hydraulic	Mechanical/ hydraulic	Mechanical/ hydraulic
	park brake type			Mechanical/ hydraulic	Mechanical/ hydraulic	Mechanical/ hydraulic
Electric-engine						
6.1	Drive motor rating S2 60 min		kW	4.5x2	4.5x2	4.5x2
6.2	Lift motor rating at S3 15%		kW	8.2	8.2	8.2
6.3	The maximum allowed size battery		mm	/	/	/
6.4	Battery voltage/nominal capacity K5			48/400	48/400	48/500
6.5	Battery weight		kg	708	708	856
Addition data						
8.1	Type of drive unit			AC	AC	AC
10.5	Steering type			Mechanical/ hydraulic	Mechanical/ hydraulic	Mechanical/ hydraulic
10.7	Sound pressure level at the driver's ear		dB (A)	68	70	74

1.The parameters in the table are of the standard model. For more information, please contact us.  
2.The parameters are subject to change without notice.



## Option

options	CPD15/18/20TV5
Fork length	•
Folding fork	•
high capacity battery	•
Imported battery	•
No-mark solid tire	•
Cold storage (Apply to -20°C)	•
Fork weighing system	•
Customerized Overhead height	•
Mast lifting height	•
Attachment	•
LED Front working light	•
fire extinguisher	•
Auto-filling water system	•
Suspension seat	•
Warning light	•
Dual Mirrors	•
Rear working light	•
OPS	•
Special backrest	•
battery trolley for lateral battery extraction	•
FAN	•
Special modification for Drive-in Racking	•



# Mast Option

1.5 1.8 2.0t TV5 series Standard mast types

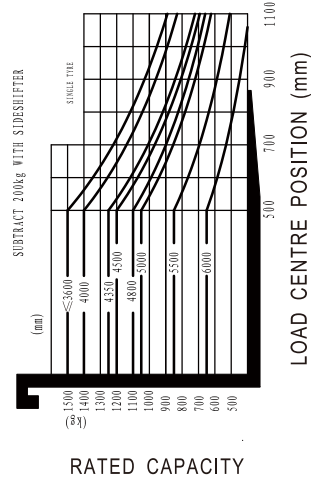
Type	Model	Max. fork height		Overall height		Free lift		Front Overhang X		Tilt range		Capacity		
		h3	h1	Without backrest	With backrest	Without backrest	With backrest	1.5t	1.8t	2.0t	FWD α	BWD β	1.5t	1.8t
		mm	mm	mm	mm	mm	mm	mm	mm	mm	Deg	Deg	kg	kg
Duplex ZT	2W200	2000	1490	2481	3011	120	120	397.5	397.5	397.5	6	6.5	1500	1800
	2W250	2500	1740	2981	3511	120	120	397.5	397.5	397.5	6	6.5	1500	2000
	2W270	2700	1840	3181	3711	120	120	397.5	397.5	397.5	6	6.5	1500	2000
	2W300	3000	1990	3481	4011	120	120	397.5	397.5	397.5	6	6.5	1500	2000
	2W330	3300	2140	3781	4311	120	120	397.5	397.5	397.5	6	6.5	1500	2000
	2W350	3500	2240	3981	4511	120	120	397.5	397.5	397.5	6	6.5	1500	2000
	2W360	3600	2290	4081	4611	120	120	397.5	397.5	397.5	6	6.5	1500	2000
	2W400	4000	2540	4481	5011	120	120	397.5	397.5	397.5	3	5	1400	1800
	2W425	4250	2665	4731	5261	120	120	397.5	397.5	397.5	3	5	1300	1700
	2W450	4500	2790	4981	5511	120	120	397.5	397.5	397.5	3	5	1250	1600
Duplex ZZ	2F250	2500	1773	2981	3511	1292	762	397.5	397.5	397.5	6	6.5	1500	1800
	2F270	2700	1873	3181	3711	1392	862	397.5	397.5	397.5	6	6.5	1500	2000
	2F300	3000	2023	3481	4011	1542	1012	397.5	397.5	397.5	6	6.5	1500	2000
	2F330	3300	2173	3781	4311	1692	1162	397.5	397.5	397.5	6	6.5	1500	2000
	2F360	3600	2323	4081	4611	1842	1312	397.5	397.5	397.5	6	6.5	1500	2000
	2F400	4000	2523	4481	5011	2042	1512	397.5	397.5	397.5	3	5	1400	1700
	3F435	4350	1993	4831	5361	1512	982	397.5	397.5	397.5	3	5	1250	1450
	3F450	4500	2043	4981	5511	1562	1032	397.5	397.5	397.5	3	5	1200	1350
	3F480	4800	2143	5281	5811	1662	1132	397.5	397.5	397.5	3	5	1100	1250
	3F500	5000	2208	5481	6011	1727	1197	397.5	397.5	397.5	3	5	1050	1200
Triplex DZ	3FE500	5500	2378	5981	6511	1897	1367	397.5	397.5	397.5	3	5	/	1100
	3FE600	6000	2593	6481	7011	2112	1582	397.5	397.5	397.5	3	5	/	900

Note: With sideshifter minus 200Kg, with integral sideshifter minus 100Kg.

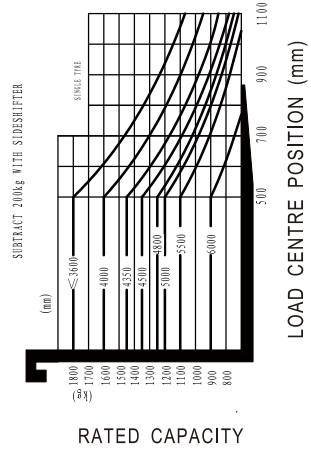
1. The parameters in the table are the standard model, for more information please contact us.

2. The parameters are subject to change without notice.

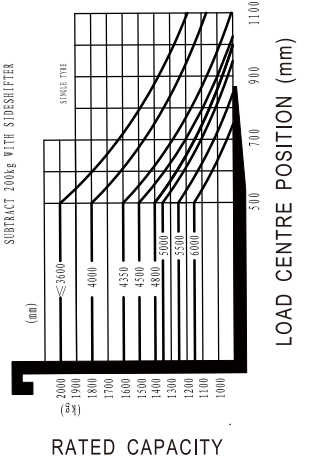
CPD15TV5 RATED CAPACITIES GRAPH



CPD18TV5 RATED CAPACITIES GRAPH



CPD20TV5 RATED CAPACITIES GRAPH



**MAX-5**