



CQE12/CQE15

Electric Stacker 1.2/1.5t

Stacking Tasks in Narrow Pathway of Non-standardized Pallets

EP EQUIPMENT CO.,LTD
www.ep-ep.com

FEATURE

Performance

- The innovative AC system offers strong power, accurate control, excellent performance
- High strength vertical gearbox, longer working life.
- Low noisy low fault Hydraulic station, multilayer detection and test cylinder and pipeline ensure the high reliable of hydraulic system.
- High Reliable AMP connector and electric parts. Reliable protect and fixation for all electric wires and cables, reduce the fault of electric parts greatly.
- High bending strength of CJ type channel mast improve the strength of whole mast.
- Operation with electromagnetic valve; High effective heat-removal system(- support long time continuous work).



Safety

- Explosion proof design of hydraulic system, protect the mast from fast descent although the oil pipeline burst. Improve the safety.
- Emergency reverse function protect the operator from hurt.
- The emergency connector can be knobbed up to cut off all the power to avoid the sudden accident when the truck is out of control.
- Multi limit of lifting, lift safer.
- The function of skid proof brake avoid the truck skidding down when truck is out of control or travel on grade.
- Have the function of electromagnetic valve cut off power and lock dead.
- Two line monitor power steering, the top safety design (electric steering).



Operation

- Ergonomic steering wheel.
- Foldable air suspension stand-on platform.
- Compact size design can be working in small space when plat from folds.
- Lateral battery design, easy to change. proportional valve control system
- Electric power steering.

Maintenance

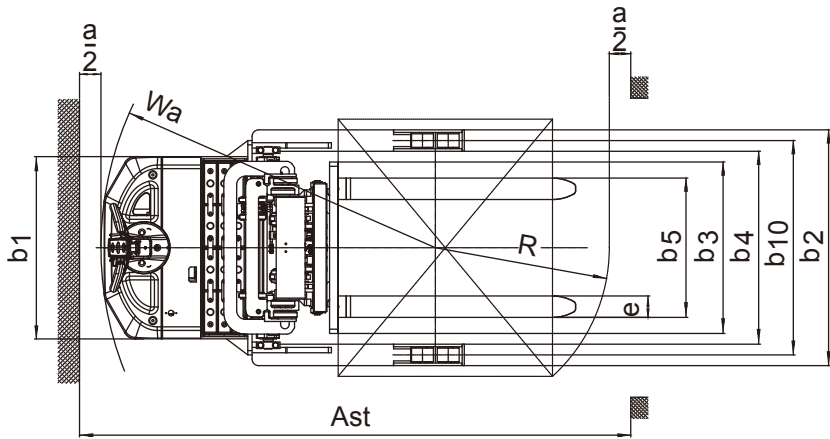
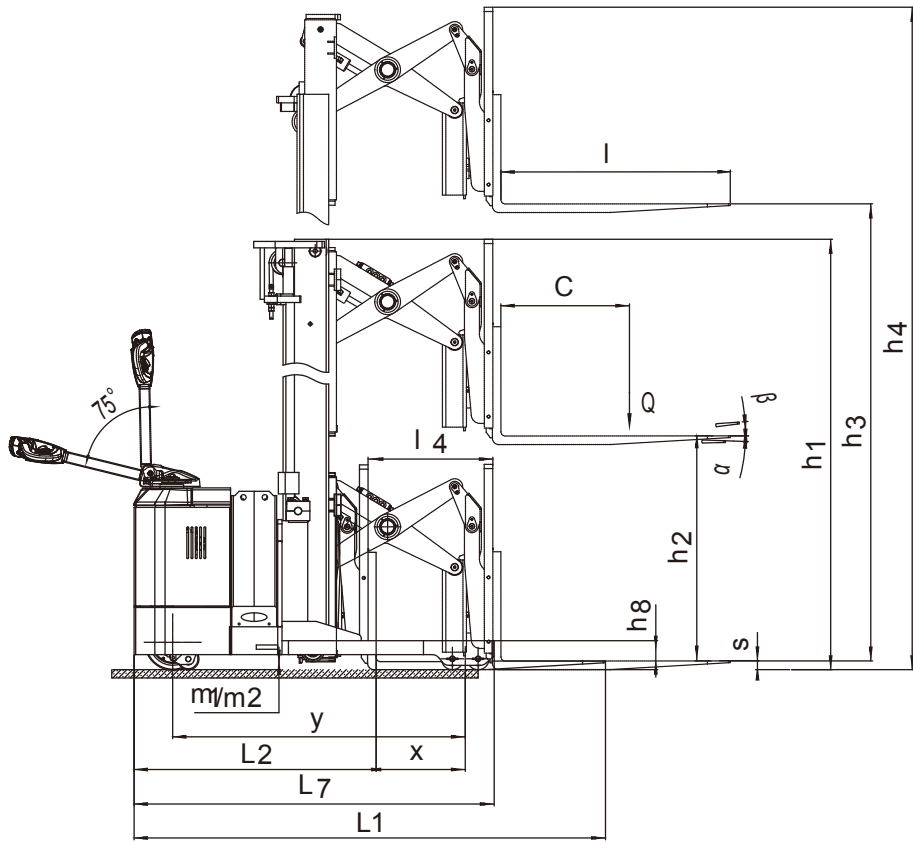
- AC motor - maintenance free.
- Battery indicator.
- Two screw to open the cover, easy to maintain.
- Vertical motor easy to maintain.
- Self-diagnose system, using Zapi hand holder to solve errors.
- Low voltage auto-protect system, extend battery lift.



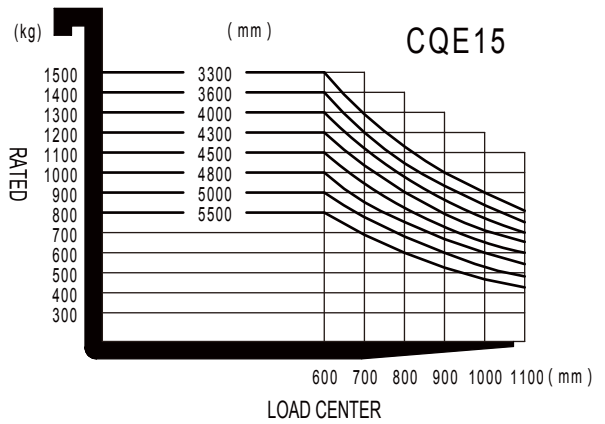
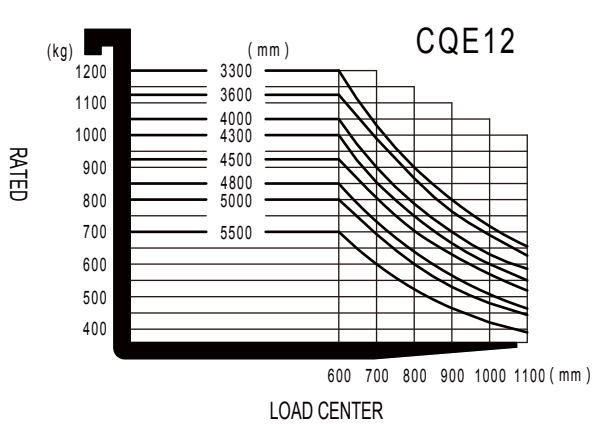
Reach Fork Electric Stacker 1.2/1.5t CQE12/CQE15

Distinguishing mark					
1.1	Manufacturer		EP	EP	
1.2	Model designation		CQE12	CQE15	
1.3	Drive unit		Battery	Battery	
1.4	Operator type		pedestrian	standing	
1.5	rated capacity	Q	t	1.2	1.5
1.6	Load center distance	c	mm	600	600
1.9	Wheelbase	y	mm	1365	1365
Weight					
2.1	Service weight (include battery)		kg	1835 ①	1865 ①
2.2	Axle loading, fork advanced, unladen driving side/loading side			1140/705	1150/715
2.3	Axle loading, fork retracted, unladen driving side/loading side			1240/605	1250/615
2.4	Axle loading, fork advanced, laden driving side/loading side		kg	285/2760	310/3055
2.5	Axle loading, fork retracted, laden driving side/loading side		kg	975/2070	1075/2290
Types, Chassis					
3.1	Tyre type driving wheels/loading wheels			PU/PU	PU/PU
3.2	Tyre size, driving wheels (diameter×width)		mm	Φ230× 75	Φ260× 105
3.3	Tyre size, loading wheels (diameter×width)		mm	Φ102× 73	Φ102× 73
3.4	Tyre size, caster wheels (diameter×width)			—	Φ100× 73
3.5	Wheels, number driving , caster/loading (x=drive wheels)		mm	1×4	1×2/4
3.6	Track width, front,driving side	b ₁₀	mm	0	0
3.7	Track width,rear,loading side	b ₁₁	mm	1000	1000
Dimensions					
4.1	Tilt of mast/fork carriage forward/backward	α/ β	°	2/4	2/4
4.2	Height, mast lowered	h ₁	mm	2090 ②	2090 ②
4.3	Free lift (load backrest)	h ₂	mm	0 ②	0 ②
4.4	Lift height	h ₃	mm	3000 ②	3000 ②
4.5	Height, mast extended	h ₄	mm	3960 ②	3960 ②
4.8	Seat height/standing height	h ₇		—	150
4.10	Height of wheel arms	h ₈ (mm)	mm	135	135
4.19	Overall length (minimum)	l ₁	mm	2200 ③	2299 ③
4.20	Length to face of forks	l ₂	mm	1140	1230
4.21	Overall width	b ₁ / b ₂	mm	1100	850/1100
4.22	Fork dimensions	s/ e/ l	mm	40/100/1070	40/100/1070
4.23	Fork carriage class/type A, B		mm	A	A
4.24	Fork carriage width	b ₃	mm	800	800
4.25	Distance between fork-arms	b ₅	mm	200-780	200-780
4.26	Distance between wheel arms/loading surfaces	b ₄	mm	900	900
4.28	Reach distance	l ₄	mm	590	590
4.31	Ground clearance, laden, below mast	m ₁	mm	70	70
4.32	The minimum ground clearance of frame	m ₂	mm	70	70
4.34.1	Aisle width for pallets 1000 × 1200 crossways	Ast	mm	2592 ③	2692 ③
4.34.2	Aisle width for pallets 800 × 1200 lengthways	Ast	mm	2633 ③	2734 ③
4.35	turning radius	Wa	mm	1560	1660
4.37	Length across wheel arms (exclusive fork)	l ₇	mm	1680	1790
Performance data					
5.1	Travel speed, laden/ unladen		km/ h	5.5/6	5.5/6
5.2	Lifting speed, laden/ unladen		m/ s	0.09/ 0.135	0.09/ 0.135
5.3	Lowering speed, laden/ unladen		m/ s	0.16/ 0.15	0.16/ 0.15
5.4	Reaching speed, laden / unladen		m/ s	0.08/0.08	0.08/0.08
5.8	Max. gradeability, laden/unladen		%	6/10	6/10
5.10	Service brake type			Electromagnetic	Electromagnetic
Electric-engine					
6.1	Drive motor rating S2 60 min		kW	1.27/1.5	3.3
6.2	Lift motor rating at S3 15%		kW	3	3
6.3	The maximum allowed size battery		mm	815×208×630	815×208×630
6.4	Battery voltage/nominal capacity K5		V/ Ah	24/210 ④	24/280 ④
6.5	Battery weight		kg	190 ④	230 ④
Addition data					
8.1	Type of drive unit			AC	AC
10.5	Steering type			Mechanical	Electronic
10.7	Sound pressure level at the driver's ear		dB (A)	74	74

1. The parameters in the table are the standard model, for more information please contact us.
2. The parameters are subject to change without notice.



RATED CAPACITIES GRAPH



① Service weight (include battery)

Mast height (mm)	Service weight (kg)	
	CQE12	CQE15
2-stage mast		
2700	1825	1855
3000	1835	1865
3300	1845	1875
3600	1855	1885
4000	1865	1895
4300	1875	1905
3-stage mast		
4000	2065	2095
4500	2080	2110
4800	2090	2120
5000	2095	2125
5500	2110	2140

② Mast

2-stage mast		CQE12/CQE15	
Lift height	Lowered mast height	Free lift	Extended mast height
h_3	h_1	h_2	h_4
2700	1940	0	3660
3000	2090	0	3960
3300	2240	0	4260
3600	2390	0	4560
4000	2590	0	4960
4300	2740	0	5260
3-stage mast		CQE12/CQE15	
Lift height	Lowered mast height	Free lift	Extended mast height
h_3	h_1	h_2	h_4
4000	1960	1000	4955
4500	2130	1170	5455
4800	2230	1270	5760
5000	2295	1335	5960
5500	2460	1500	6460

③ Dimensions (mm)

		CQE12		CQE15	
		2-stage mast	3-stage mast	2-stage mast	3-stage mast
Overall length (minimum)	l_1	2191	2203	2310	2320
Aisle width for pallets 1000 × 1200 crossways	Ast	2592	2600	2692	2700
Aisle width for pallets 800 × 1200 lengthways	Ast	2633	2644	2734	2744
Aisle width for pallets 1000 × 1200 crossways	Ast	2683	2693	2784	2794
Aisle width for pallets 800 × 1200 lengthways	Ast	2468	2475	2569	2575

④ Battery

	CQE12		CQE15	
	standard	option	option	option
Capacity (Ah)	210	224 (maintenance free battery)	280	360
Battery weight (kg)	190	150	230	300
	CQE15		CQE12	
	standard	option	option	option
Capacity (Ah)	280	224 (maintenance free battery)	210	360
Battery weight (kg)	230	150	190	300

Option

options	CQE12	CQE15
driving pedal	●	○
Electronic Power steering	●	○
High capacity battery	●224/280/360Ah	●210/224/360Ah
Cold storage	●	●
side shift	●	●
Water auto-filling system	●	●

● options ○ standard

- 1.The parameters in the table are the standard model, for more information please contact us.
- 2.The parameters are subject to change without notice.