

REACH STACKERS

ROBUST, FLEXIBLE AND POWERFUL



WORKS FOR YOU.™

REACHING HIGH

TEREX® REACH STACKERS

Terex Port Solutions (TPS) offers a comprehensive portfolio of logistics solutions and state-of-the-art cargo handling equipment including lift trucks of various types. Among these, Terex reach stackers stand for excellent performance and reliability combined with innovative design.

They offer versatile application possibilities for the handling of empty or full containers within demanding intermodal handling systems including harbour terminals, rail terminals, container depots and other logistical systems.

Professional high-capacity handling

With durable Terex spreader systems, which are designed and manufactured inhouse, 20' to 40' containers can be handled and stacked to a height of six 9'6" high-cube containers – a stacking ability that can be found nowhere else in the market. Furthermore, our reach stackers can be equipped with a variety of lifting gear for the flexible handling of general and heavy project cargo.

Terex reach stackers fulfill the requirements of even the most difficult handling tasks, including high load capacities of up to 45 t under spreader and high working speeds while being easy to operate and safe.

Easy, reliable and efficient operation

- ▶ Excellent cargo handling rates thanks to high-performance and high lifting capacities, traveling and lifting/lowering speeds
- ▶ Easy handling and good maneuverability
- ▶ Very easy operation thanks to ergonomic design, innovative control systems and good operator visibility
- ▶ Long service life and reliability due to robust design and prime components
- ▶ Cost-effective operation due to modern, environmentally friendly drive technology and low maintenance expenses

The range of Terex reach stackers

Types	Models	Wheelbases [mm]				Maximum container stacking heights			Main applications	
		5,150	6,000	6,500	7,000	5 x 9'6"	6 x 8'6"	6 x 9'6"	Full container	Empty container
TFC	TFC 45		✓			✓			✓	
	TFC 45 R		✓			✓			✓	
	TFC 45 M			✓		✓			✓	
	TFC 45 MR			✓		✓			✓	
	TFC 46 M DRY			✓			✓		✓	
	TFC 46 M			✓				✓	✓	
	TFC 46 MS			✓				✓	✓	
	TFC 46 MX			✓				✓	✓	
	TFC 46 MSX			✓				✓	✓	
	TFC 46 LS				✓		✓		✓	
	TFC 46 LX				✓		✓		✓	
	TFC 46 LSR				✓		✓		✓	
	TFC 46 LSX				✓		✓		✓	
	CS	CS 7.5 S6	✓					✓		
CS 45 KM			✓			✓			✓	

The robust and compact design of Terex reach stackers provides powerful container handling as well as excellent maneuverability between container stacks



HIGH-CAPACITY STACKING

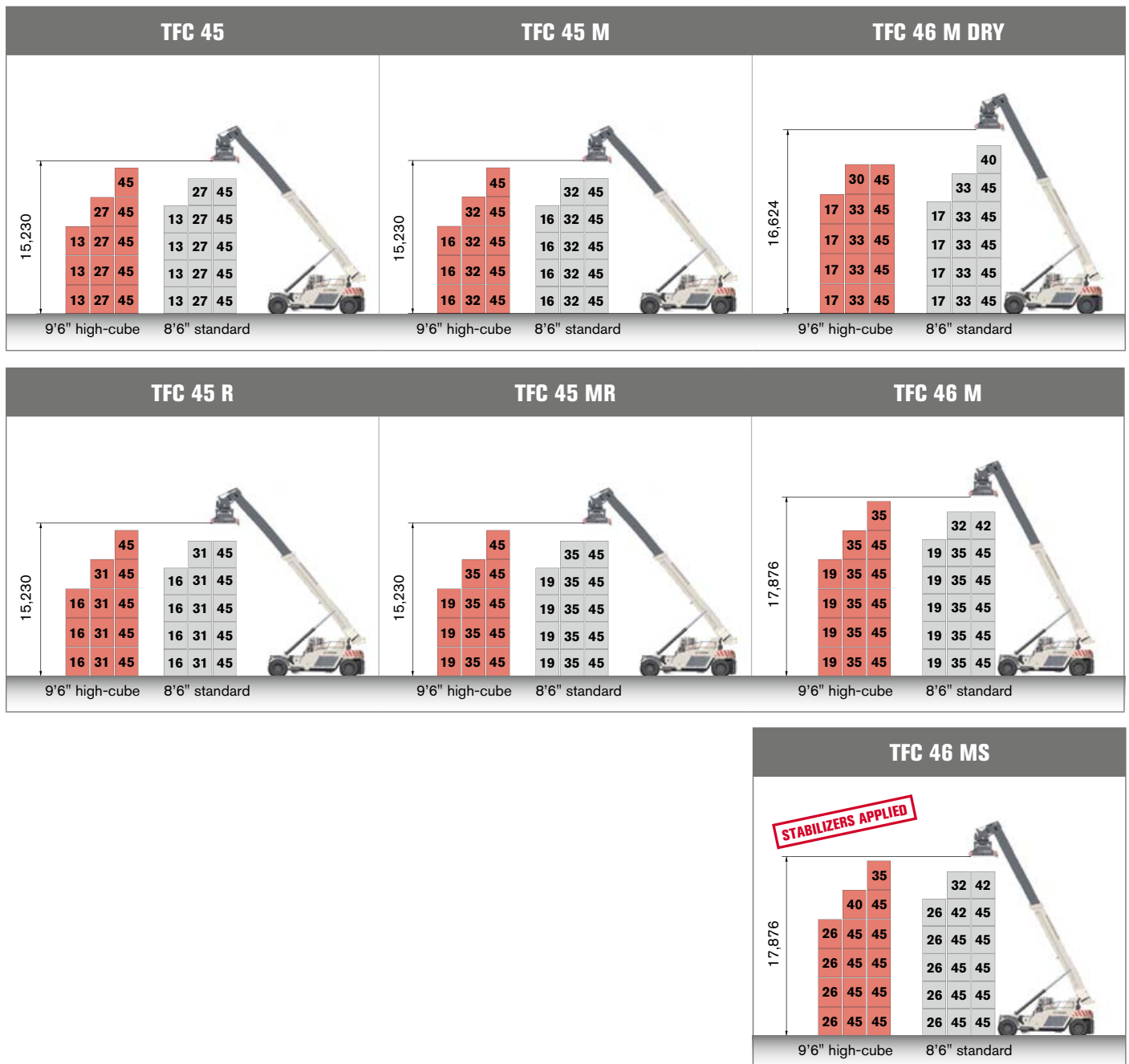
LOAD CHARTS FOR THE WHOLE RANGE

Terex® reach stackers are not only capable of stacking up to six high-cube containers (9'6") in the first row. Due to their compact design and rigid construction they also allow for high capacity stacking in the second and even the third container row.

The load charts lead you quickly to the Terex reach stacker type and model that suits your stacking capacity needs for standard (8'6") and high-cube (9'6") containers.

TFC type

TPS provides thirteen TFC models that cover all requirements for professional container handling and stacking. They offer various lifting capacity ranges and include models with stabilizers (suffix S) to increase the lifting capacities in the 2nd and 3rd container row.



EXAMPLE PRODUCT DESIGNATION TFC TYPE

TFC 46 MSX

Short product name

Rows to be served

Max. container stacking height in the 1st row

Wheelbase

M = Medium (6,500 mm)

L = Large (7,000 mm)
(not specified = 6,000 mm)

Configuration

R = Reinforced

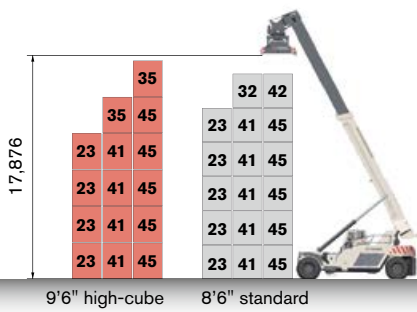
X = Heavy duty

S = Stabilizer

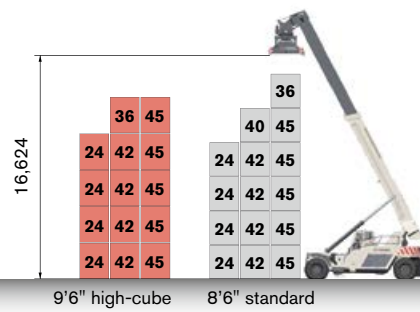
CS type

TPS offers two CS reach stackers: the CS 7.5 S6 is especially designed for empty container handling and the CS 45 KM is specifically designed for the regional requirements and regulations of the Asian market.

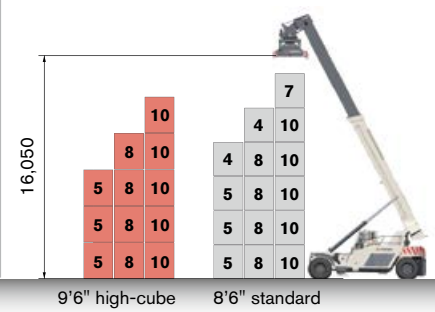
TFC 46 MX



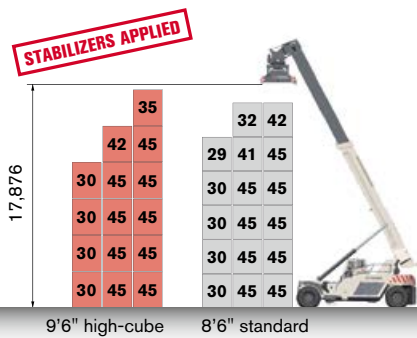
TFC 46 LX



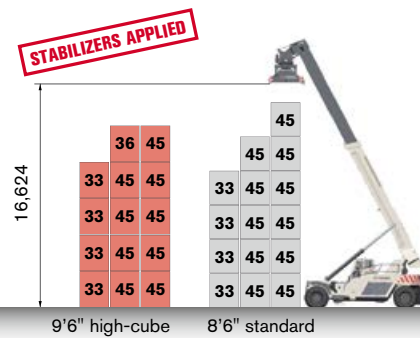
CS 7.5 S6



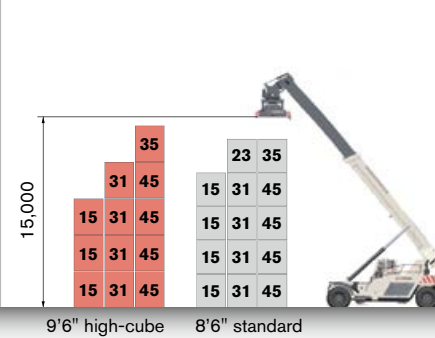
TFC 46 MSX



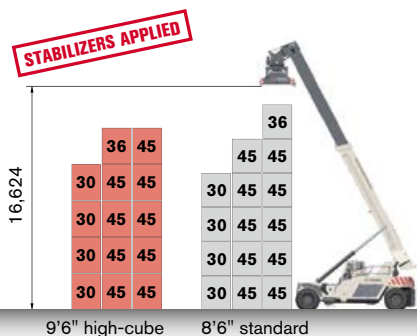
TFC 46 LSR



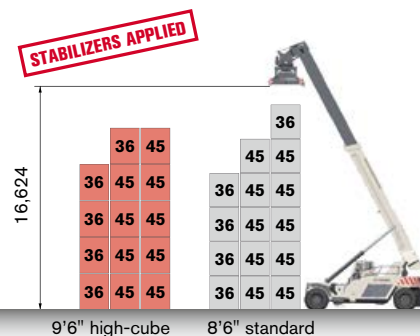
CS 45 KM



TFC 46 LS



TFC 46 LSX



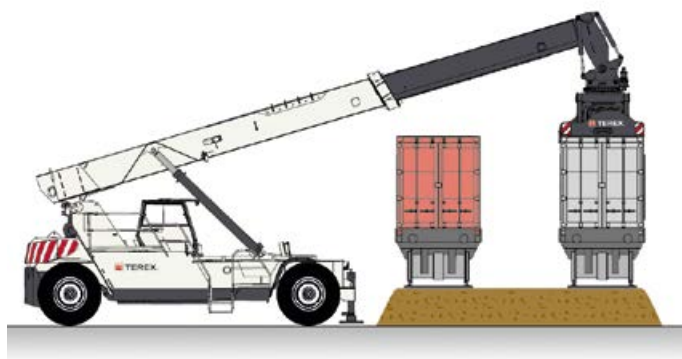
All dimensions in mm. All capacities in t.

HIGH-OUTREACH HANDLING

INTERMODAL OPERATION AT TRUCKS AND COACHES

All Terex® reach stackers feature excellent capabilities for intermodal handling in either coach or truck operation.

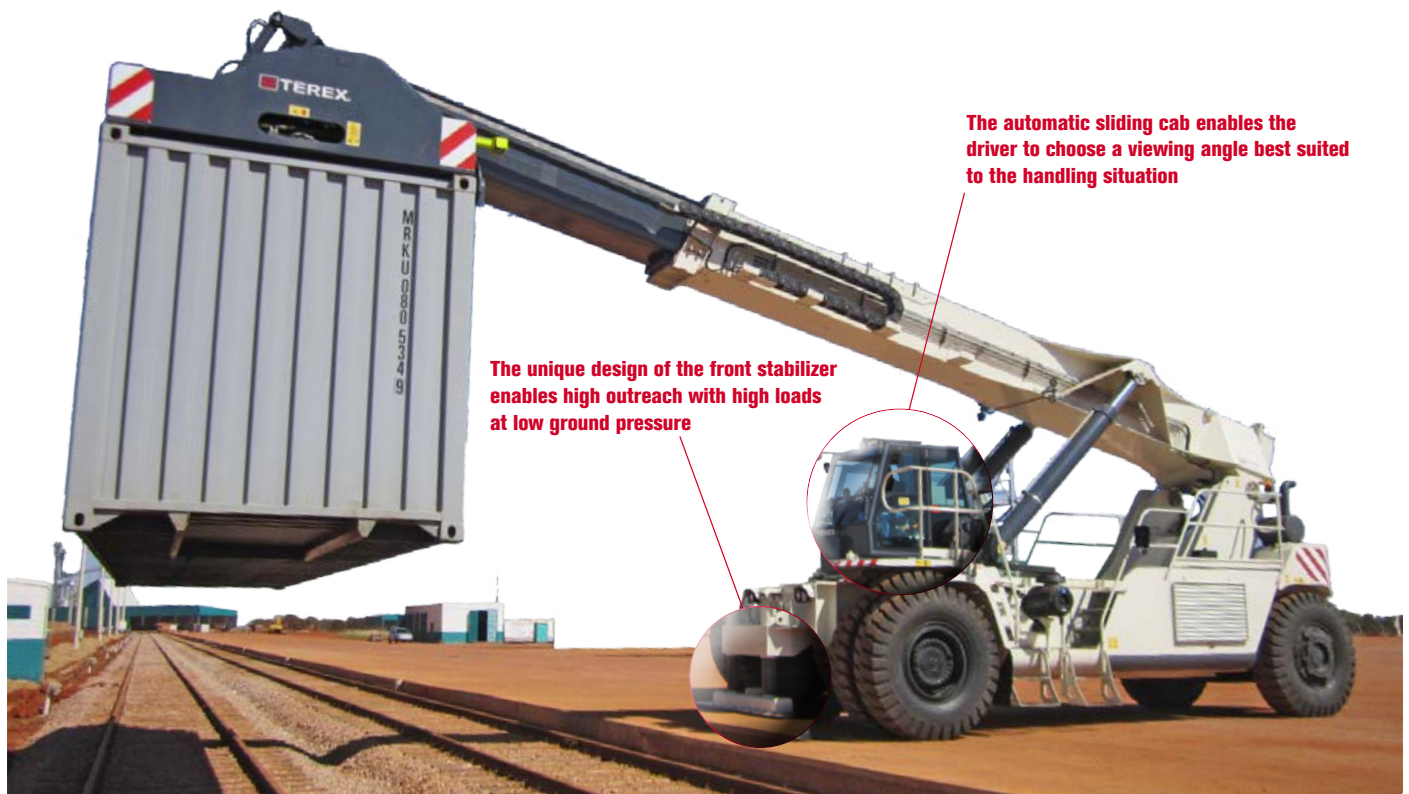
In addition, the automatic sliding cab, standard on TFC 46 L models, provides an even better view of the working area.



Recommended models for intermodal handling

Models / Spreaders	TFC 45		TFC 45 R		TFC 46 MSX		TFC 46 LSX	
	Top pick	Piggyback	Top pick	Piggyback	Top pick	Piggyback	Top pick	Piggyback
Capacity at outreach*	45.0 t @ 2,460 mm	45.0 t @ 2,000 mm	45.0 t @ 2,460 mm	45.0 t @ 2,000 mm	45.0 t @ 4,500 mm	45.0 t @ 3,860 mm	45.0 t @ 4,500 mm	45.0 t @ 3,860 mm
	13.0 t @ 6,400 mm	8.0 t @ 6,400 mm	16.0 t @ 6,400 mm	10.0 t @ 6,400 mm	31.0 t @ 6,400 mm	27.0 t @ 6,400 mm	36.0 t @ 6,400 mm	31.0 t @ 6,400 mm
	9.0 t @ 7,500 mm	5.0 t @ 7,500 mm	12.5 t @ 7,500 mm	7.0 t @ 7,500 mm	25.0 t @ 7,500 mm	21.0 t @ 7,500 mm	29.0 t @ 7,500 mm	26.0 t @ 7,500 mm

* Measured from front tires or stabilizer, if applicable

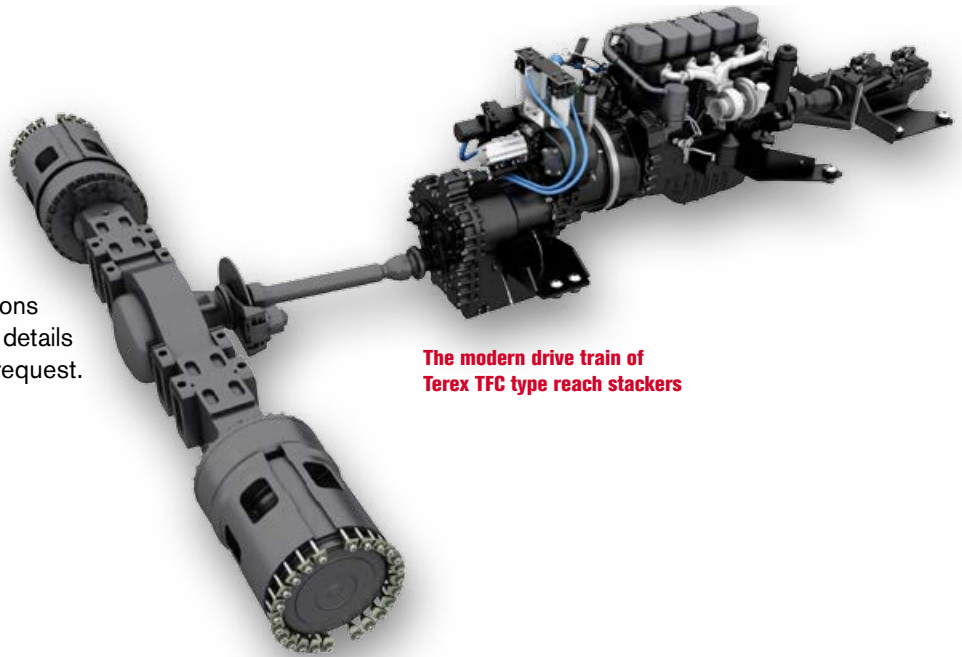


EFFICIENT DRIVES

TECHNICAL SPECIFICATIONS FOR ENGINES, TRANSMISSIONS AND MORE

Terex reach stackers offer excellent value with its modern drive train, which includes engines with low fuel consumption and low exhaust emissions combined with powerful hydraulics and first-class axle components.

Below is a list of engines and transmissions available for Terex reach stackers – more details and engine options are available upon request.



The modern drive train of Terex TFC type reach stackers

Models	Standard engines
TFC types	Scania DC9 Tier 4i (Stage IIIB) 257 kW @ 2,100 rpm 1,790 Nm @ 1,200 rpm
	Cummins QSM11 Tier 3 (Stage IIIA) 239 kW @ 1,800 rpm 1,478 Nm @ 1,500 rpm
	Standard transmission Dana TE 27 418 Speeds, forward / reverse 4 / 4

Models	Standard engines
CS 7.5 S6	Cummins QSB6.7 Tier 4f (Stage IV) 194 kW @ 2,200 rpm 990 Nm @ 1,500 rpm
	Cummins QSC8.3 Tier 3 (Stage IIIA) 183 kW @ 2,200 rpm 1,162 Nm @ 1,500 rpm
	Volvo TAD871VE Tier 4f (Stage IV) 185 kW @ 2,200 rpm 1,150 Nm @ 1,500 rpm
	Volvo TAD750VE Tier 3 (Stage IIIA) 181 kW @ 2,300 rpm 1,050 Nm @ 1,500 rpm
	Standard transmission Dana TE 17 Speeds, forward / reverse 3 / 3

Models	Standard engines
CS 45 KM	Cummins QSM11 Tier 3 (Stage IIIA) 250 kW @ 2,100 rpm 1,674 Nm @ 1,400 rpm
	Standard transmission Dana 15.5 HR Speeds, forward / reverse 4 / 4

All standard engines equipped with water cooling system.
All standard transmissions equipped with hydraulic torque converter and automatic powershift control.

Models	TFC types	CS	
		7.5 S6	45 KM
Driving axles			
Make	Kessler D102	Kessler D91	Kessler D102
Type	2-stage hub reduction		
Reduction	22.6 or 25.4	19.8	30.2
Braking system	Maintenance free wet disc brakes		
Hydraulic systems			
Main system	Load sensing control	Load sensing control	Load sensing control
Main pump	Variable displacement double piston pump	Gear pump	Two double gear pumps
Max. working pressure [bar]	320	230	250
Tank capacities			
Hydraulic oil [l]	750	520	850
Fuel [l]	700	330	580
Diesel Exhaust Fluid (DEF) [l]	38	19-25*	n/a

* Depending on engine type

HIGH LOADS, HIGH SPEEDS

TECHNICAL SPECIFICATIONS FOR CAPACITIES, SPEEDS, WEIGHTS AND MORE

Terex® reach stackers offer high handling performance and reduced operating costs thanks to modern design and components. The technical specifications provide detailed information about stacking capacities, speeds, weights and other technical data.

Models	TFC 45				TFC 46	
	h/hc*	R h/hc*	M	MR	M DRY	M
Capacities						
With front stabilizers (if yes, stacking abilities are with stabilizer applied)						
Maximum stacking height, 1st / 2nd / 3rd row						
- 8'6" standard container	5 / 5 / 4		5 / 5 / 4		6 / 5 / 4	6 / 6 / 5
- 9'6" high-cube container	5 / 4 / 3		5 / 4 / 3		5 / 5 / 4	6 / 5 / 4
Maximum capacity, 1st / 2nd / 3rd row						
- 8'6" and 9'6" container [t]	45 / 27 / 13	45 / 31 / 16	45 / 32 / 16	45 / 35 / 19	45 / 33 / 17	45 / 35 / 19
Maximum speeds						
Lifting						
- laden [m/s]	h: 0.25 / hc: 0.26		0.25		0.31	
- unladen [m/s]	h: 0.34 / hc: 0.40		0.40		0.48	
Lowering						
- laden [m/s]	0.50		0.50		0.60	
- unladen [m/s]	0.55		0.55		0.55	
Traveling						
- laden [km/h]	25		25		25	
- unladen [km/h]	25		25		25	
Weights						
Maximum static axle load, front / rear						
- laden (boom $\alpha = 45^\circ$) [t]	86.7 / 26.6	86.5 / 30.1	83.6 / 30.0	83.5 / 33.5	84.2 / 30.8	86.2 / 32.5
- unladen (boom $\alpha = 25^\circ$) [t]	36.0 / 32.3	35.8 / 35.8	34.3 / 34.3	34.2 / 37.8	33.9 / 36.1	37.2 / 36.5
Dead weight (unladen, with standard top pick spreader) [t]	68.3	71.6	68.6	72.0	70.0	73.7
Wheels and tires						
Tire size	18.00-25		18.00-25		18.00-25	
Rim size	13.00-25		13.00-25		13.00-25	
No. of wheels, front (driven) / rear	4 / 2		4 / 2		4 / 2	
Additional data						
Drawbar pull with standard engines						
- Tier 4i (Stage IIIB) / Tier 4f (Stage IV) [t]	30.6		30.6		30.6	
- Tier 3 (Stage IIIA) [t]	28.9		28.9		28.9	
Maximum gradeability with Tier 4i (Stage IIIB) / Tier 4f (Stage IV)						
- laden [%]	26.6	26.2	26.6	26.2	26.6	26.2
- unladen [%]	44.8	42.7	44.8	42.7	42.7	41.0
Maximum gradeability with Tier 3 (Stage IIIA) standard engines						
- laden [%]	24.8	24.5	24.8	24.5	24.8	24.5
- unladen [%]	42.0	40.0	42.0	40.0	40.0	39.0

* TFC 45 and TFC 45 R are available with hydraulic (h) or electronic (hc) controls. All other models are equipped with electronic (hc) controls.



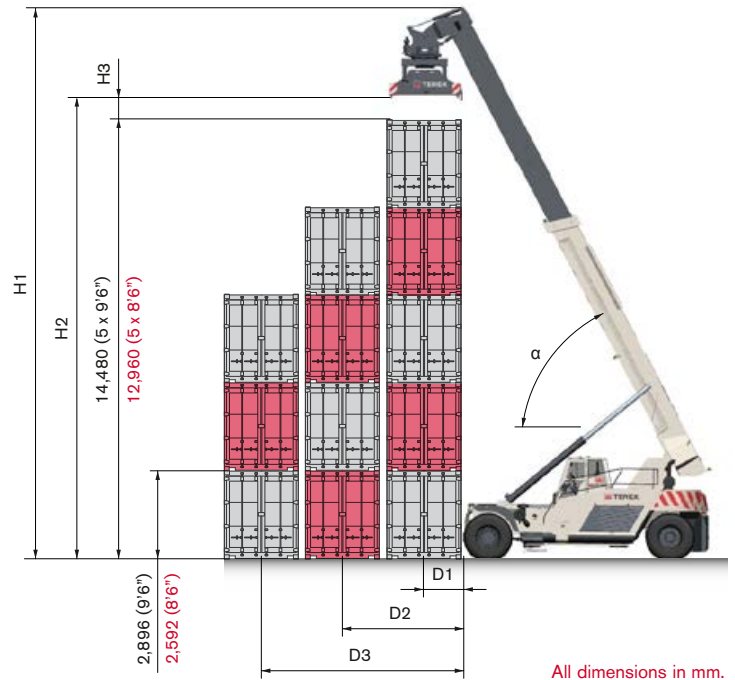
TFC 46							CS	
MS	MX	MSX	LS	LX	LSR	LSX	7.5 S6	45 KM
✓		✓	✓		✓	✓		
	6 / 6 / 5				6 / 5 / 4		6 / 5 / 4	5 / 5 / 3
	6 / 5 / 4				5 / 5 / 4		5 / 4 / 3	5 / 5 / 3
45 / 45 / 26	45 / 41 / 23	45 / 45 / 30	45 / 45 / 30	45 / 45 / 24	45 / 45 / 33	45 / 45 / 36	10 / 8 / 5	45 / 31 / 15
	0.31				0.28		0.44	0.20
	0.48				0.46		0.50	0.30
	0.60				0.58		0.38	0.20
	0.55				0.50		0.57	0.35
	25				25		25	15
	25				25		28	18
93.8 / 30.1	87.0 / 32.5	84.7 / 39.8	85.2 / 33.3	82.6 / 44.1	85.0 / 37.8	84.9 / 40.6	35.5 / 15.0	89.0 / 31.0
34.1 / 44.8	38.1 / 36.4	34.5 / 45.0	39.0 / 34.5	36.4 / 45.3	38.8 / 39.0	38.7 / 41.8	25.0 / 15.5	39.5 / 35.5
78.9	74.5	79.5	73.5	81.7	77.8	80.5	40.5	75.0
18.00-25	18.00-33		18.00-25		18.00-33		14.00-24	18.00-25
13.00-25	13.00-33		13.00-25		13.00-33		10.00-24	13.00-25
	4 / 2				4 / 2		4 / 2	4 / 2
	30.6				30.6		14.9	n/a
	28.9				28.9		14.9	30.0
25.5	24.5	25.2	24.5	24.2	24.8	25.0	32.0	n/a
40.5	38.0	37.5	41.0	37.0	38.0	37.5	35.0	n/a
24.2	22.3	23.0	24.5	22.0	24.2	22.5	32.0	19.0
38.5	36.5	36.0	39.0	35.0	36.5	36.0	35.0	20.0

COMPACT DESIGN

MAIN DIMENSIONS

The compact design of Terex® reach stackers allows for flexible and powerful handling combined with excellent maneuverability between container stacks.

On this page, you will find a comprehensive overview of the entire Terex reach stacker model range allowing you a precise planning of your operations.

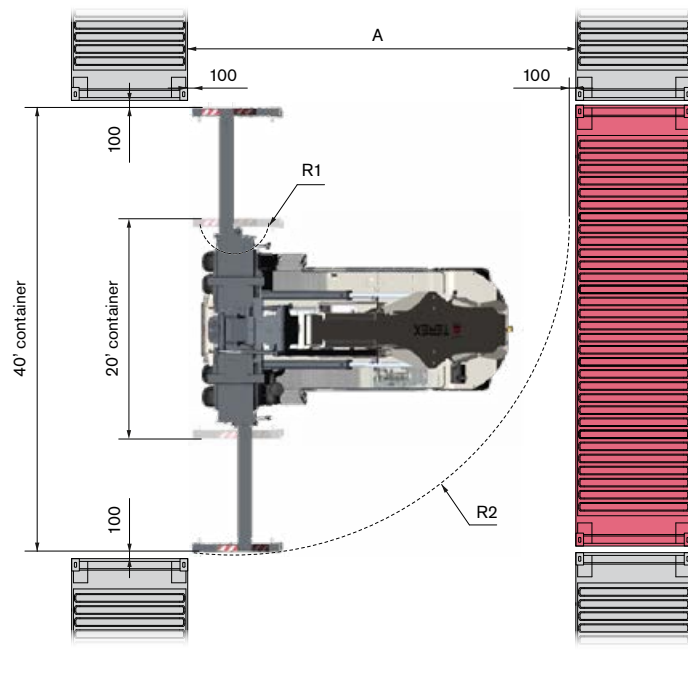
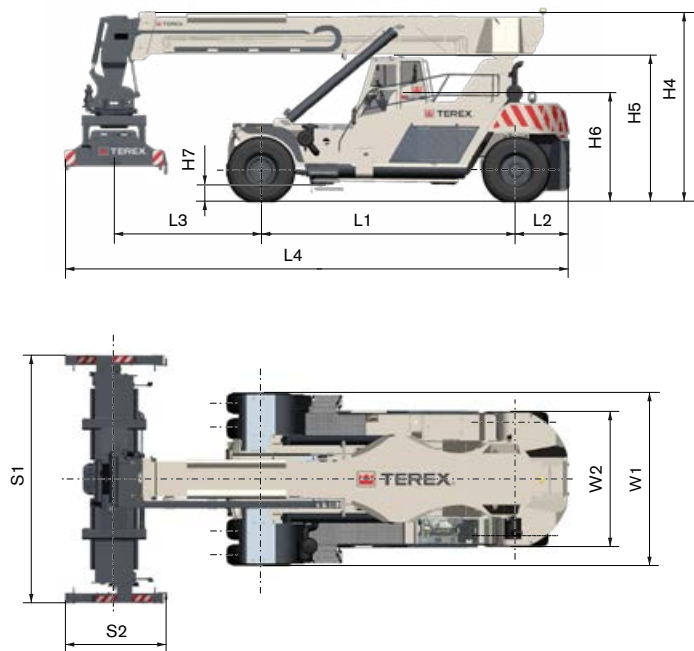


All dimensions in mm.

Models	TFC 45						TFC 46	
	h/hc	R h/hc	M	MR	M DRY	M		
Heights								
H1	Max. boom height, 1 st row	[mm]	18,530		18,530		19,924	21,106
H2	Max. lifting height under twistlocks, 1 st row	[mm]	15,230		15,230		16,624	17,806
Lifting height clearance ¹⁾								
H3	- 8'6" standard containers	[mm]	2,270		2,270		1,072	2,254
	- 9'6" high-cube containers	[mm]	750		750		2,144	430
H4	Minimum boom height	[mm]	4,530		4,530		4,256	4,256
H5	Cab height	[mm]	3,600		3,600		3,600	3,600
H6	Driver seat height	[mm]	2,600		2,600		2,600	2,600
H7	Ground clearance (unladen)	[mm]	320		320		320	320
Widths								
W1	Front	[mm]	4,190		4,190		4,190	
W2	Rear	[mm]	3,345		3,345		3,345	
Lengths								
L1	Wheelbase	[mm]	6,000		6,500		6,500	
L2	Rear overhang	[mm]	1,300		1,300		1,300	
L3	Min. distance driving axle center to load center	[mm]	3,450		2,950		3,625	4,025
L4	Overall length	[mm]	11,950		11,950		12,630	13,030
Distances								
D1	From tires to load center (1 st row) ²⁾	[mm]	1,320		1,320		1,320	
D2	From tires to load center (2 nd row) ²⁾	[mm]	3,860		3,860		3,860	
D3	From tires to load center (3 rd row) ²⁾	[mm]	6,400		6,400		6,400	
Other dimensions								
α	Maximum boom angle	[°]	62		62		65	
90° stacking aisle								
A	- 20' containers	[mm]	10,210		10,640		10,640	
	- 40' containers	[mm]	12,830		12,830		12,830	
R1	Internal turning radius	[mm]	1,840		2,030		2,030	
External turning radius								
R2	- 20' containers	[mm]	7,400		7,400		7,400	
	- 40' containers	[mm]	10,420		10,420		10,420	
Terex® Spreader								
S1	Length	[mm]	6,072		6,072		6,072	
S2	Width	[mm]	2,400		2,400		2,400	

¹⁾ Referred to maximum stacking height

²⁾ Measured from stabilizer if supplied



MS	MX	MSX	TFC 46				CS	
			LS	LX	LSR	LSX	7.5 S6	45 KM
21,106	21,176		19,924		19,994		18,500	18,000
17,806	17,876		16,624		16,694		16,050	15,000
2,254	2,324		1,072		1,142		498	2,040
430	500		2,144		2,214		1,570	520
4,256	4,596		4,526		4,596		4,300	5,315
3,600	3,670		3,600		3,670		3,200	3,890
2,600	2,670		2,600		2,670		2,200	2,700
320	390		320		390		450	450
	4,190				4,190		4,500	4,200
	3,345				3,345		2,500	3,300
	6,500				7,000		5,150	6,000
	1,300				1,300		1,200	1,250
	4,025				3,510		3,800	2,950
	13,030				13,030		11,370	11,370
	1,320				1,320		1,300	1,380
	3,860				3,860		3,840	3,920
	6,400				6,400		6,380	6,460
	65				65		67	60
	10,640				11,020		11,300	11,300
	12,830				12,830		14,200	13,650
	2,030				2,300		1,800	1,500
	7,400				7,500		7,900	8,200
	10,420				10,520		10,200	10,200
	6,072				6,072		6,050	6,050
	2,400				2,400		2,440	2,440

SUITED TO YOUR NEEDS

STANDARD AND OPTIONAL EQUIPMENT

Terex® reach stackers are well-equipped in standard configuration. In addition, TPS offers a comprehensive range of optional equipment and features to configure your Terex reach stacker precisely to your needs, helping you to further increase the operability and efficiency of the machine.

USER-FRIENDLY CONTROL SYSTEM

The control system offers a user-friendly interface with access to intelligent features for economic and easy operation.



The clearly arranged graphics display provides the driver with useful information.

Equipment

Section	Standard	Option
Control systems		
IQAN-MD3 for TFC types ¹⁾		
– 3.5" TFT color display	✓	
– Displayed values: boom length, angle and radius; hydraulic flows and pressures		
– Internal memory capacity of 80,000 records		
Logitex for CS 7.5 S6 ²⁾		
– 4.3" TFT color display	✓	
– Operative and diagnostic black box		
– Automatic boom lifting with vertical spreader position control		
– Eco-Power fuel saving mode		
Record transfer system		✓
Auto-diagnostic function	✓	
Load measurement	✓	
Anti-tipping device	✓	
Rear parking sensors		✓
Rear camera		✓
Full vision system (4 cameras)		✓
Cab		
Ergonomically designed, soundproofed		
Noise level: TFC types ≤ 70 dB(A) CS types ≤ 76 / 85 dB(A)	✓	
Automatic sliding (hydraulically driven) ³⁾		✓
High comfort seat		
– with mechanical suspension	✓	
– with pneumatic suspension		✓
Driver seat belt		✓
Trainer seat		✓
Air conditioning and heating system	✓	
CD audio system ⁴⁾	✓	

Section	Standard	Option
Spreader and lifting gear		
Telescopic top pick spreader 20' / 40'	✓	
ISO and wide top pick (WTP) container spreader		✓
Piggyback spreader		✓
Multistacker configuration via an universal coupling for various lifting gear such as hooks, forks, coil mandrels and many more		✓
Additional design features		
Lighting		
– Bulb traffic and working lights	✓	
– LED traffic and working lights		✓
– Additional LED working lights		✓
Tires		
– Tubeless pneumatic tires	✓	
– Plain tread tires		✓
– Spare tire		✓
– Tire pressure display		✓
Others		
– Automatic lubrication system for chassis, boom and spreader		✓
– Low temperature kit		✓
– Fire suppression system		✓
– Heated rear view mirrors		✓

¹⁾ Option for model TFC 45 h

²⁾ Data of CS 45 KM model on request

³⁾ Standard for all TFC 46 L models

⁴⁾ Option for models TFC 45 h and TFC 45 R h

More information about additional options on request.

Terex® top pick spreader

The Terex top pick spreader combines low weight with high performance.

▶ Telescoping

- Beams extended by simultaneous chain drive
- 20' to 40' within 12 s
- Automatic stop at 30' *

▶ Slewing

- +210/-125° within 65 s

▶ Side shift

- Guided by steel rollers
- +/- 800 mm within 11 s

▶ Pile slope

- Free: +/- 4°
- Powered: +/- 5° (option)

▶ Other features

- 4 x 12 t sling eyes (option: 8 x 12 t)
- Container guides (option)
- Weight: 8 t



* Option for models TFC 45 h and TFC 45 R h

Spacious and ergonomically designed driver cab

In combination with the clearly arranged chassis, the spacious driver cab offers an excellent view. For efficient and safe work without fatigue: seat, steering wheel and pedal set feature various setting options to adapt driver.



FOR ALL YOUR APPLICATIONS

SOLUTIONS FOR CONTAINER, GENERAL AND PROJECT CARGO HANDLING

Besides the Terex® standard top pick spreader, TPS also offers wide top pick (WTP) and piggyback spreaders allowing to master various container standards as well as demanding intermodal handling with ease.

Piggyback spreader for intermodal handling



EFFICIENT TEAMWORK

From loading and unloading, to transport, stacking and handling – combining Terex® Gottwald harbour cranes with Terex® reach stackers is a flexible solution for covering the entire cargo handling chain in terminals.

- ▶ Flexible container handling equipment from one single source
- ▶ Harmonized technology base
- ▶ Combined maintenance and service offer

Terex reach stackers interact with a Terex Gottwald Model 5 mobile harbour crane at the Port of Lübeck, Germany



Versatile cargo transport

Terex reach stackers are excellent tool carriers when equipped with the proper attachment. Safely and efficiently, they manage the handling of heavy and bulky goods in various industries like steel, wood, wind power and concrete precast industry.

TPS offers various lifting gear including:

- ▶ Hooks
- ▶ Forks
- ▶ Coil mandrels
- ▶ Magnets
- ▶ Scissor-type grabs

More flexibility with multistacker configuration

The optional multistacker configuration allows the flexible mounting of various lifting devices via a universal coupling at the top of the boom. A convenient feature, for example, in the steel industry when different semi-finished products have to be handled.



AROUND THE CLOCK, AROUND THE WORLD, AROUND YOUR BUSINESS

LIFE CYCLE SUPPORT

Global support on a local level

We are committed to keeping your equipment in service to increase your return on investment. Whether support comes from a local distributor or direct from the factory, operators can depend on Terex Port Solutions.

- ▶ Erection and commissioning
- ▶ Maintenance team and operator training
- ▶ Parts management
- ▶ Inspection and maintenance
- ▶ Refurbishment and upgrades
- ▶ Repairs
- ▶ Fleet management
- ▶ Relocation



Our skilled service team is always close to you and enables you to exploit the full potential of your equipment and boost your productivity

www.terexportsolutions.com

Effective date: August, 2014. Product specifications and prices are subject to change without notice or obligation. The photographs and/or drawings in this document are for illustrative purposes only. Refer to the appropriate Operator's Manual for instructions on the proper use of this equipment. Failure to follow the appropriate Operator's Manual when using our equipment or otherwise failure to act responsibly may result in serious injury or death. The only warranty applicable to our equipment is the standard written warranty applicable to the particular product and sale and Terex Port Solutions makes no other warranty, express or implied. Terex, the Terex Crown design, Terex Gottwald and Works For You are trademarks of Terex Corporation or its subsidiaries. All other trademarks are property of their respective owners. © 2014 Terex Corporation.

Terex Operations Italy Srl
Via Cisa Ligure 51/A
42041 Lentigione di Brescello (RE)
Italy
Phone: +39 0522 967444
Fax: +39 0522 680426

Terex Cranes France S.A.S.
Z.I. de la Saule, B.P. 106
71304 Montceau-les-Mines Cedex
France
Phone: +33 38567 3800
Fax: +33 38567 3935

Noell Crane Systems (China) Limited
Zhangzhou Development Zone
Fujian 363105
P.R. China
Phone: +86 596 685188
Fax: +86 596 6851889

tps.info@terex.com



WORKS FOR YOU.™